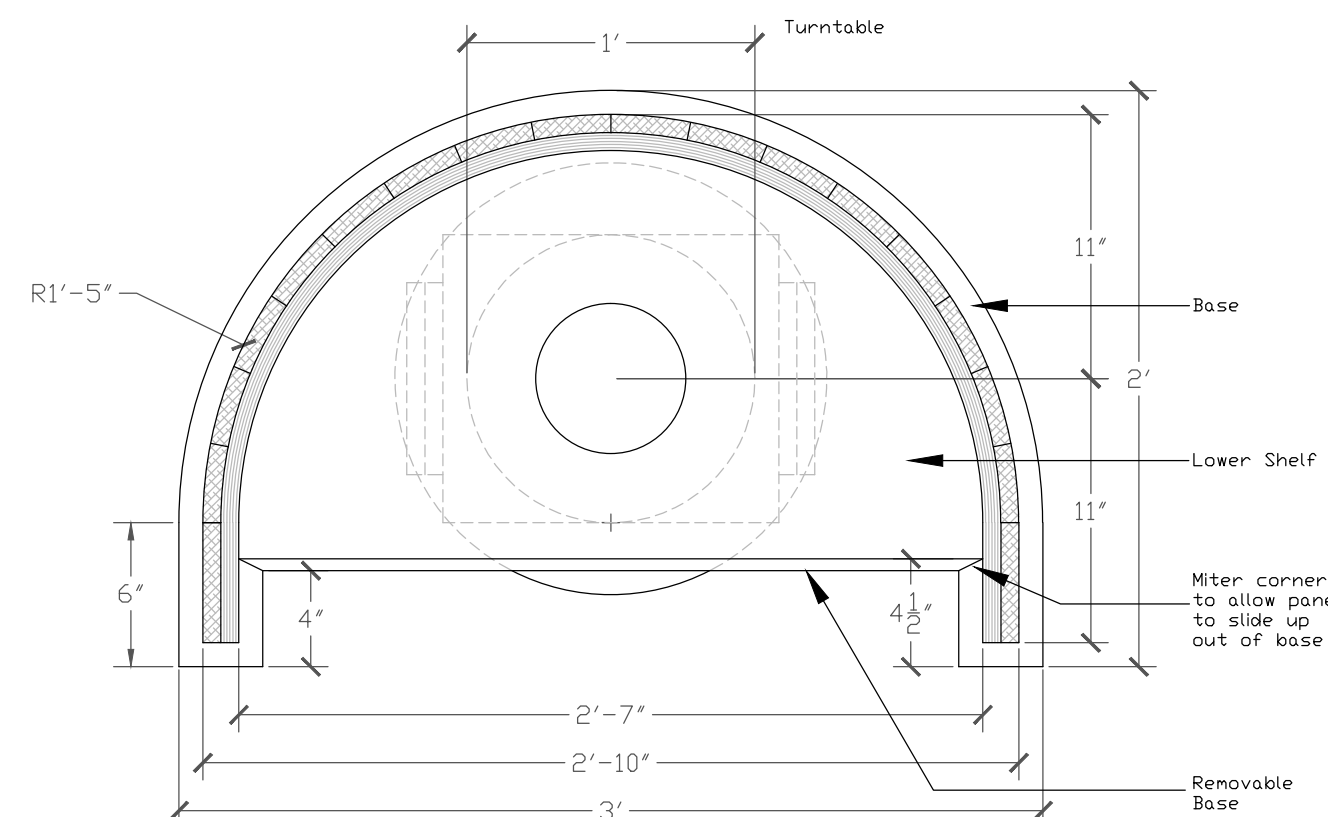
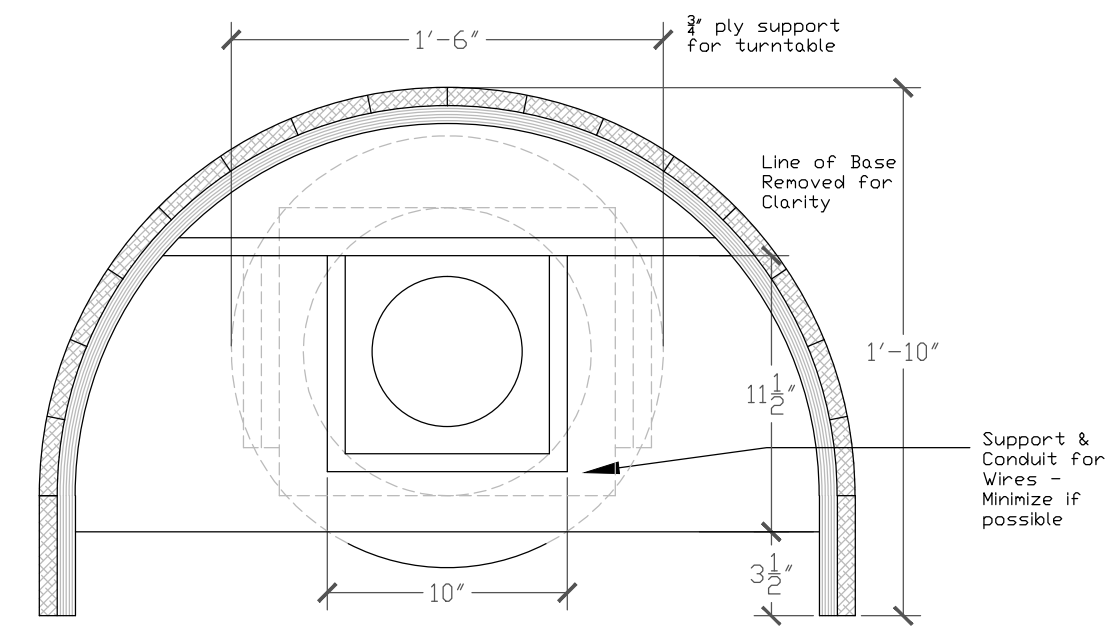


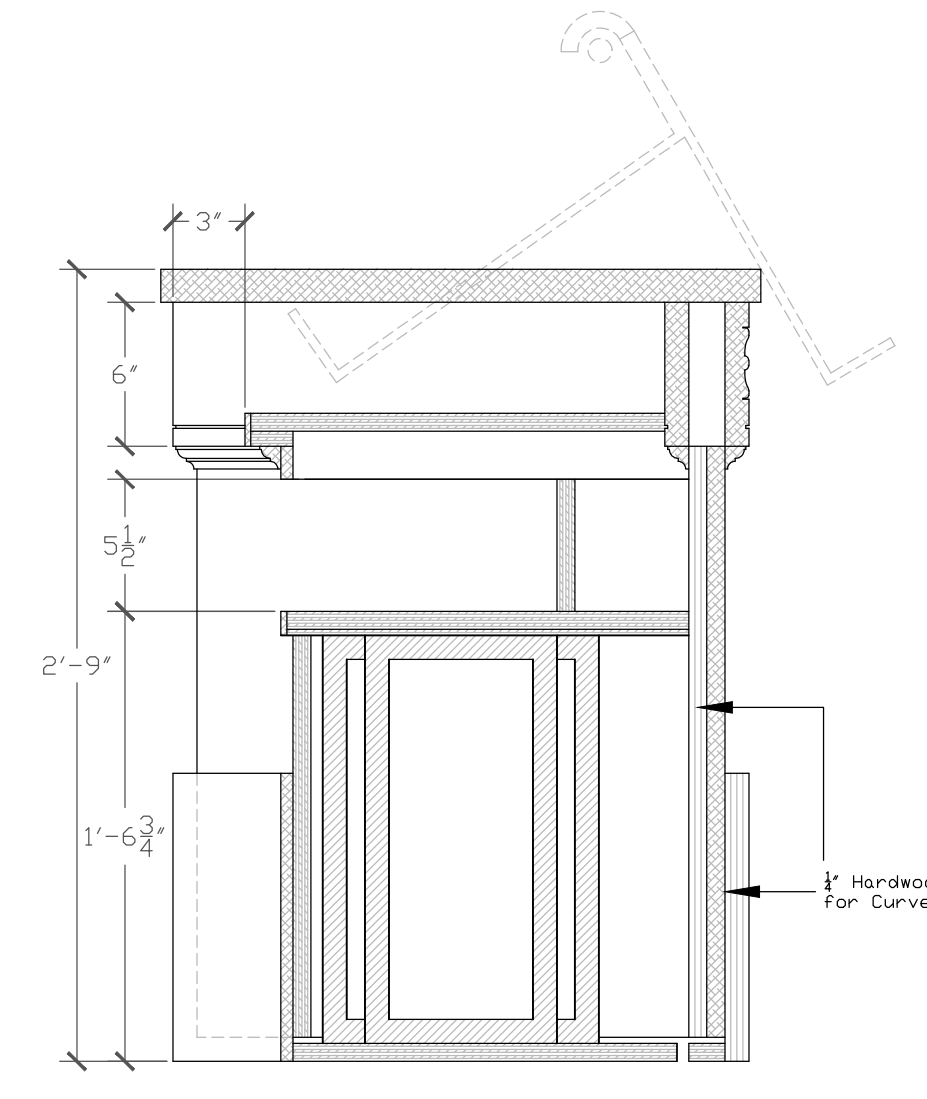
5 Plan Section at Top Shelf
Scale: 1-1/2" = 1'0"



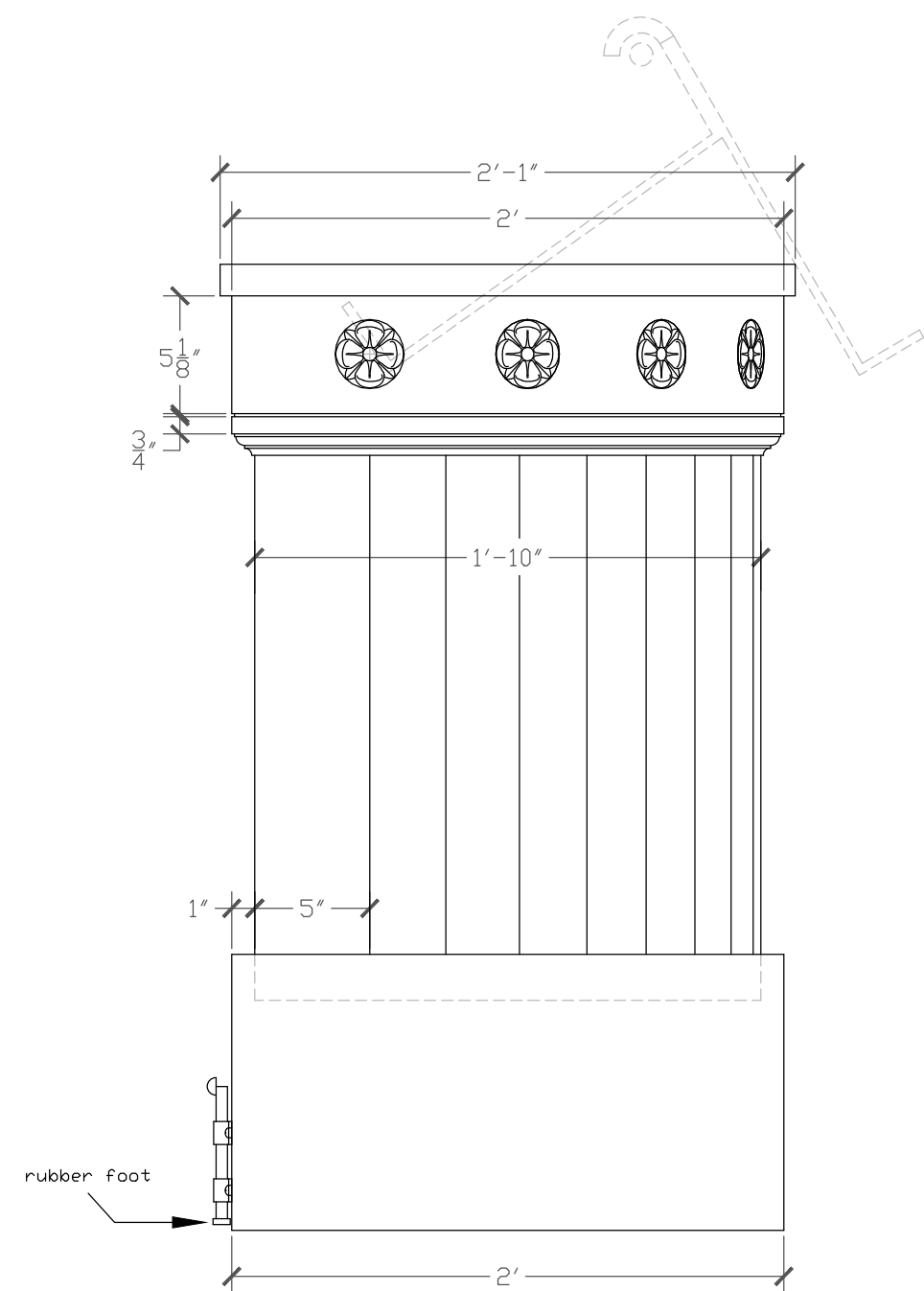
6 Plan Section at Lower Shelf
Scale: 1-1/2" = 1'0"



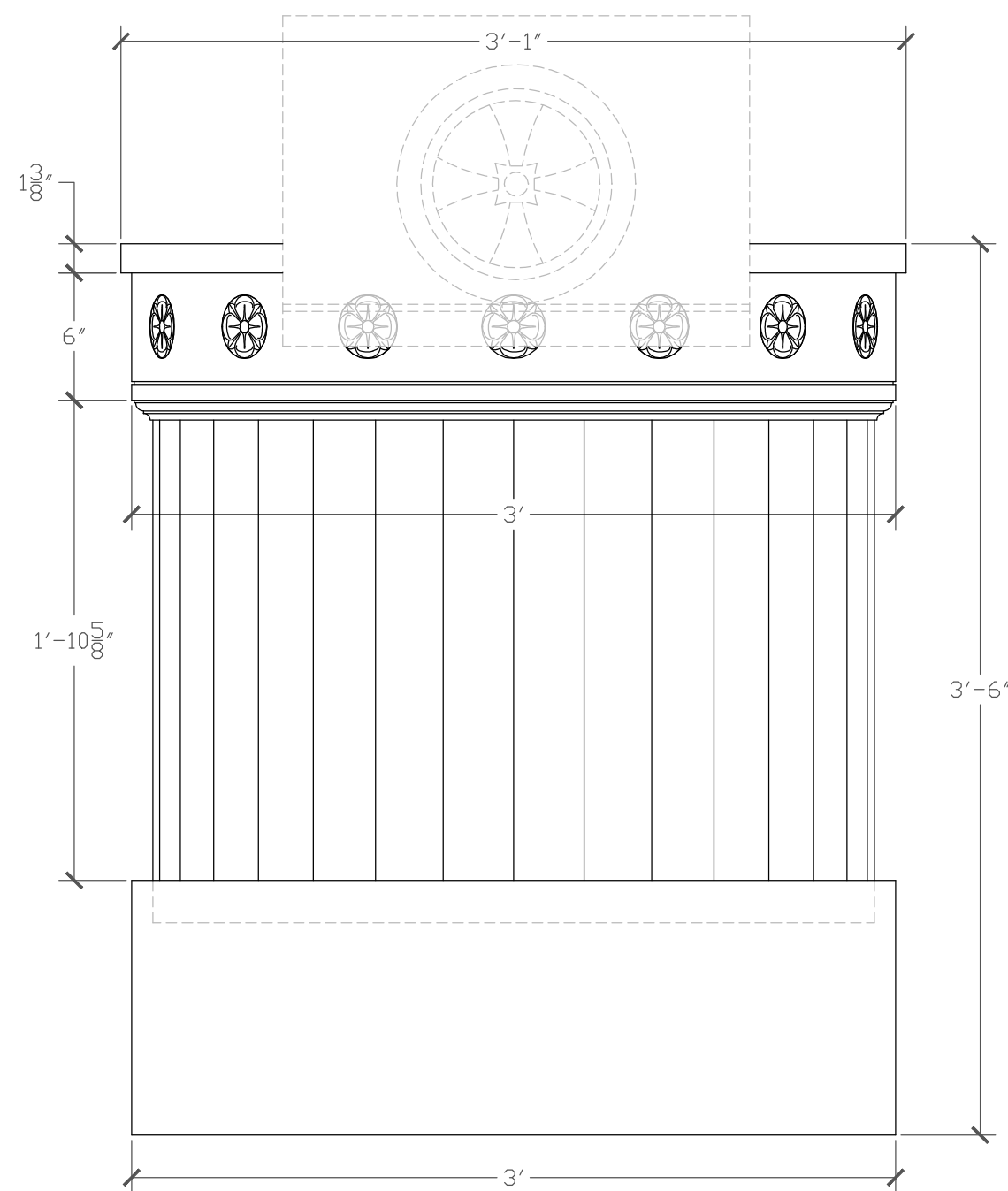
7 Plan Section at Lower Shelf Elect Passage
Scale: 1-1/2" = 1'0"



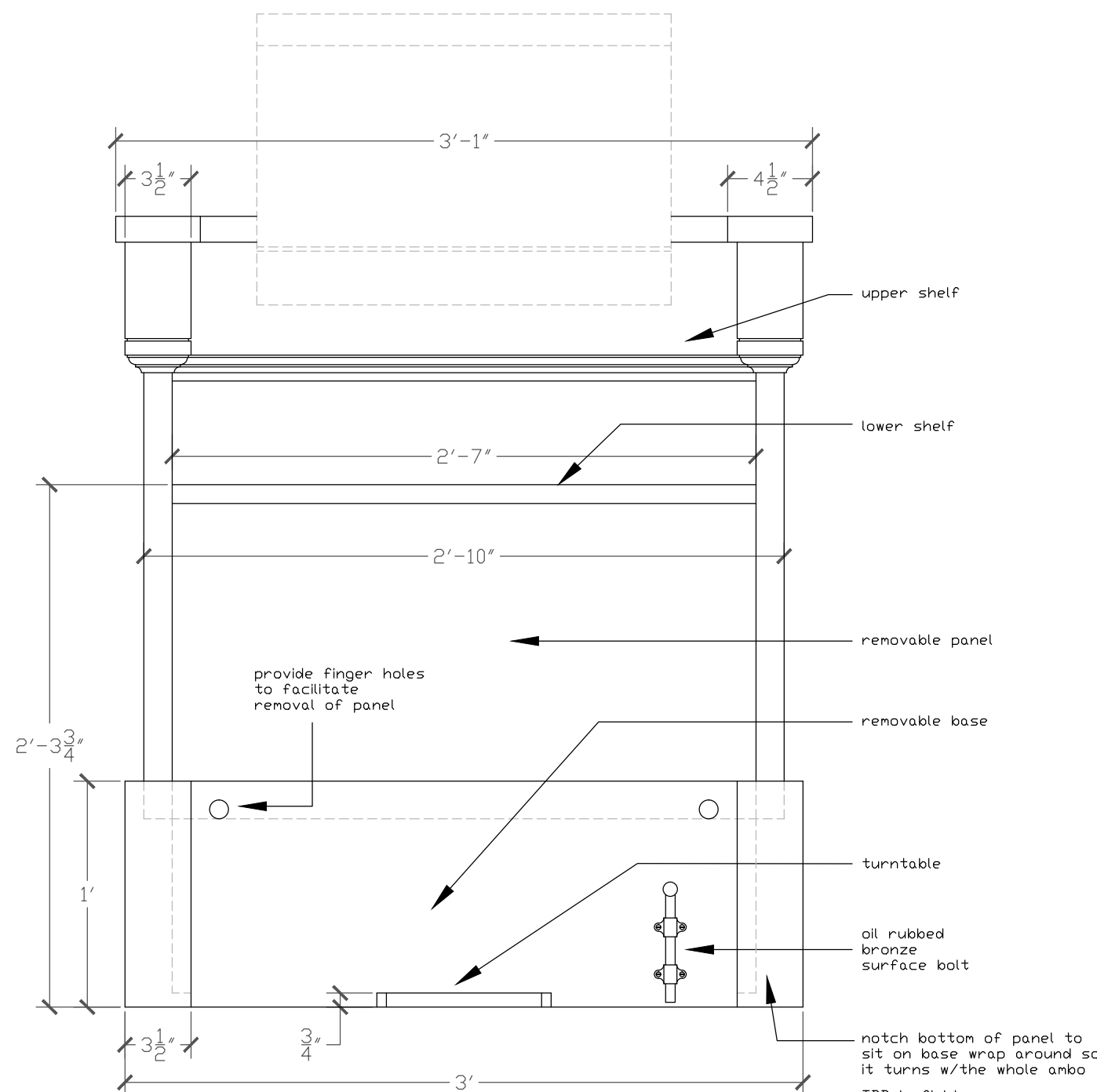
8 Section Through Center @ 33"
Scale: 1-1/2" = 1'0"



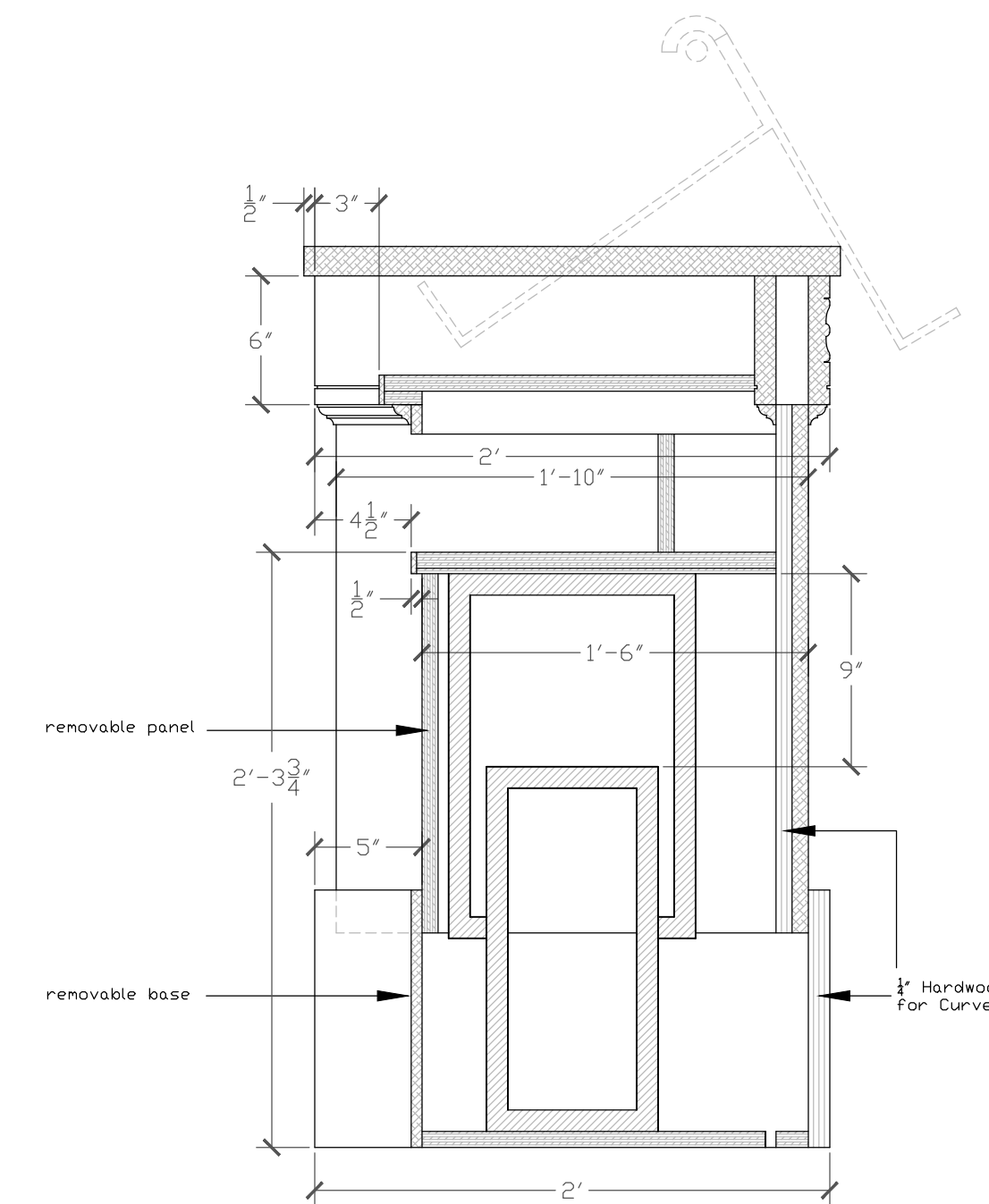
1 Elevation Side
Scale: 1-1/2" = 1'0"



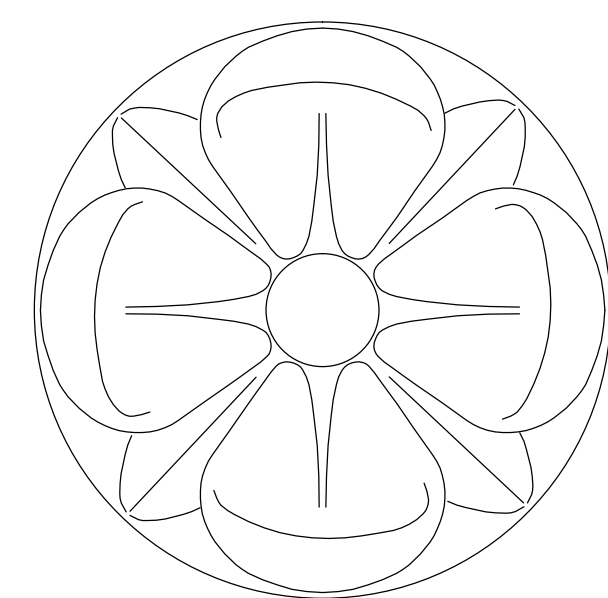
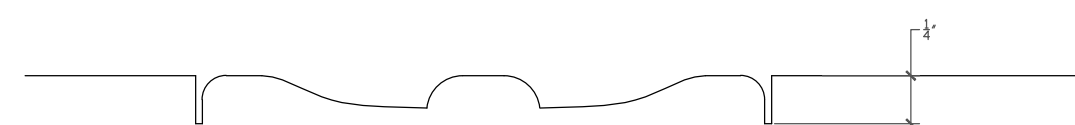
2 Elevation Front
Scale: 1-1/2" = 1'0"



3 Elevation Back
Scale: 1-1/2" = 1'0"

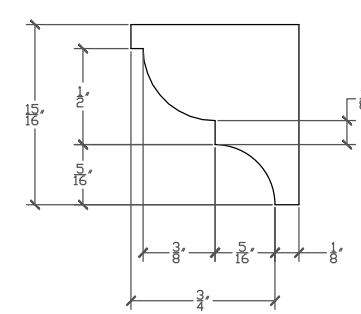


4 Section Through Center Side @ 42"
Scale: 1-1/2" = 1'0"



9 Rosettes
Scale: Full Size

see photos for reference



10 Trim
Scale: Full Size

Solid Forms
82 3rd Place
Brooklyn, NY 11231
917 670 0095
admin@solidforms.com

for:
53 Restorations

Project -
St Francis Xavier

Sheet -
Furniture / Ambo

Revisions:
April 20, 2010
April 24, 2010
May 4, 2010
May 19, 2010

Date:
March 3, 2010

Scale:
As Indicated

P1